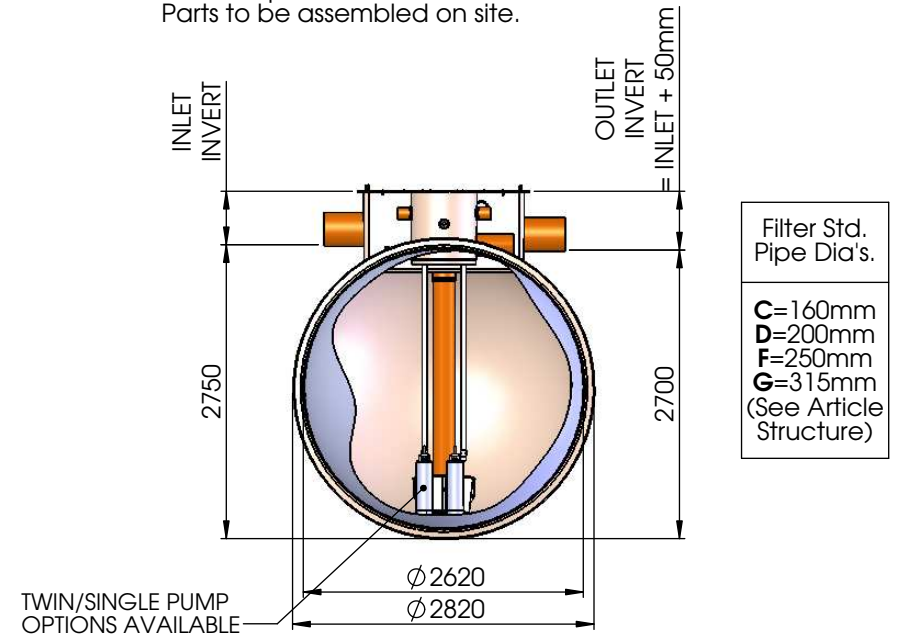
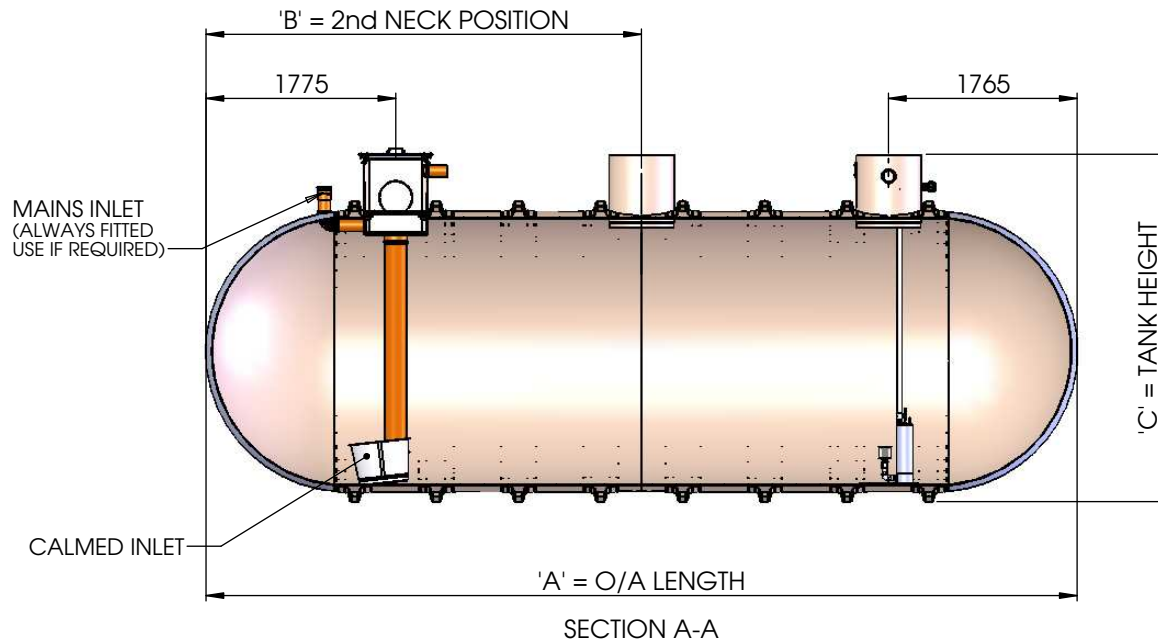


System	Dim 'A' (mm)	Dim 'B' (mm)	Height Dim 'C' (Invert Option)				Volume (L)	Approx kg (Empty)	Tank Ø (mm)
			Inlet Invert						
			500mm	1000mm	1500mm	2000mm			
ENV0625	4,315	-	3210	3710	4210	4710	18,000	960	2,820
ENV0765	5,075	-	3210	3710	4210	4710	22,000	1,080	2,820
ENV0900	5,840	-	3210	3710	4210	4710	26,000	1,300	2,820
ENV1040	6,605	-	3210	3710	4210	4710	30,000	1,480	2,820
ENV1320	8,150	4,075	3210	3710	4210	4710	38,000	1,860	2,820
ENV1460	8,920	3,310	3210	3710	4210	4710	42,000	2,050	2,820
ENV1735	10,455	4,075	3210	3710	4210	4710	50,000	2,420	2,820
ENV2050	11,995	4,850	3210	3710	4210	4710	59,000	2,940	2,820
ENV2325	13,530	4,850	3210	3710	4210	4710	67,000	3,210	2,820
ENV2745	15,885	5,615	3210	3710	4210	4710	79,000	3,770	2,820

Notes:-

1. For Inlet/Overflow pipe sizes see Article Structure.
2. Filter Options (\*For details consult Technical Sales)  
L3 = Flow Rate \*70ltrs/sec (Av. Roof Area 10000m<sup>2</sup>)  
L4 = Flow Rate \*100ltrs/sec (Av. Roof Area 14000m<sup>2</sup>)
3. Rectangular filter turret (L3,L4) always fitted  
Dimension 'B' when alone indicates a single circular neck unit.  
Dimensions 'B' & 'C' together indicate a twin circular neck unit.
4. It is essential that this drawing is read in conjunction with GL0051P (supplied with unit) installation details. This drawing should be used for dimensional information only.
5. If unit requires neck extensions, consult Technical Sales.  
Parts to be assembled on site.



Please check with Kingspan Environmental that this drawing is the latest issue				Material : Various	Tolerance :	Drawing : DS1162P	Page 1 of 1	
Issue	Date	Drawn by	Approved by	Finish :	Thickness : n/a			
01	30.01.12	P.T.C		Description INITIAL RELEASE - CC1025	Weight : 1597.10 Kg Kgs	Surface Area :	Drawing : DS1162P	
All dimensions in mm		Scale: Not to scale		Kingspan Environmental reserve the right to alter the details of this drawing without prior notice. This drawing is copyright and may not be reproduced or used without the written permission of Kingspan Environmental.			18000L To 79000L RWH Storage Tanks + Filter	