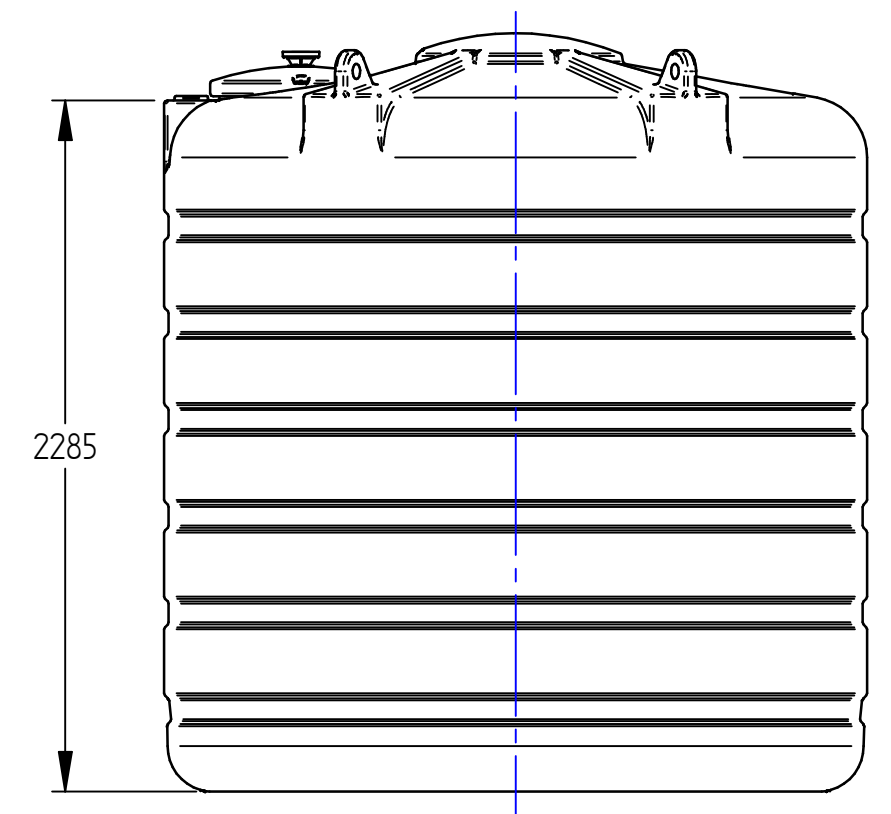
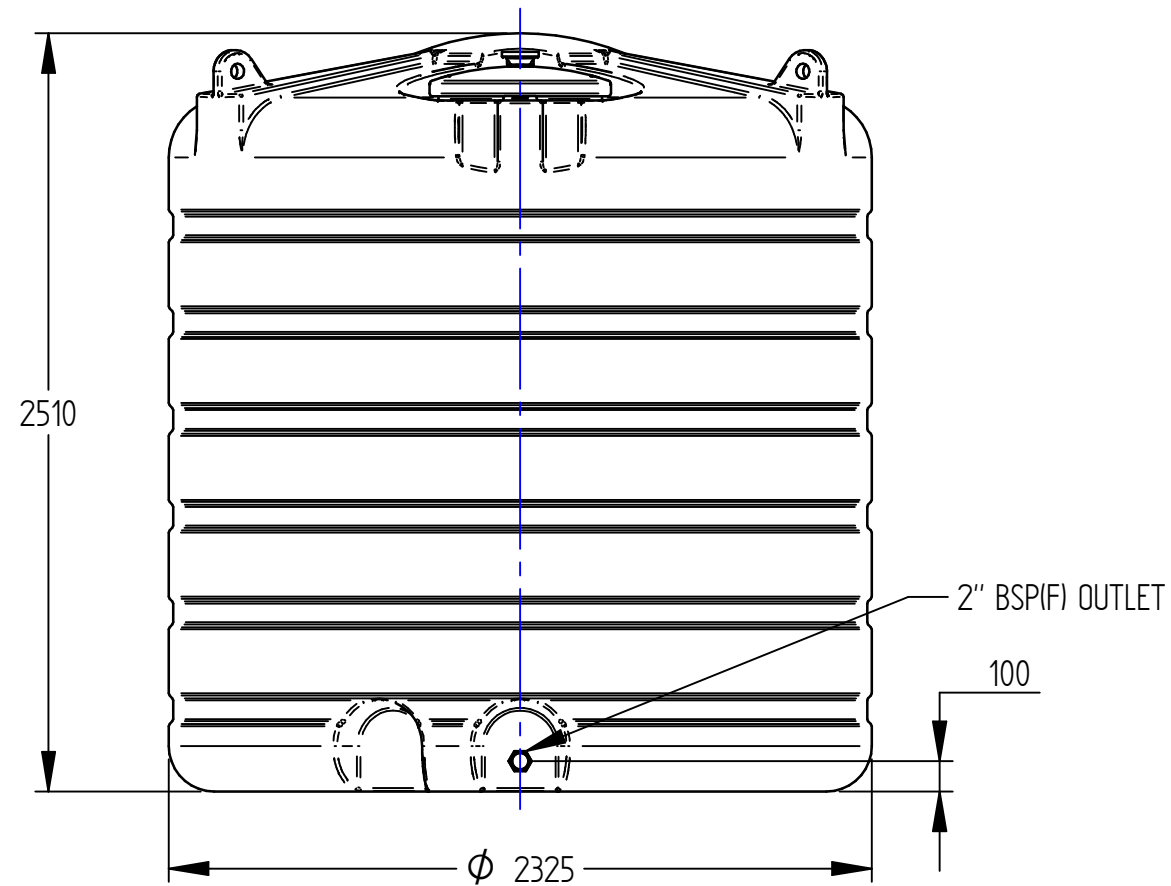
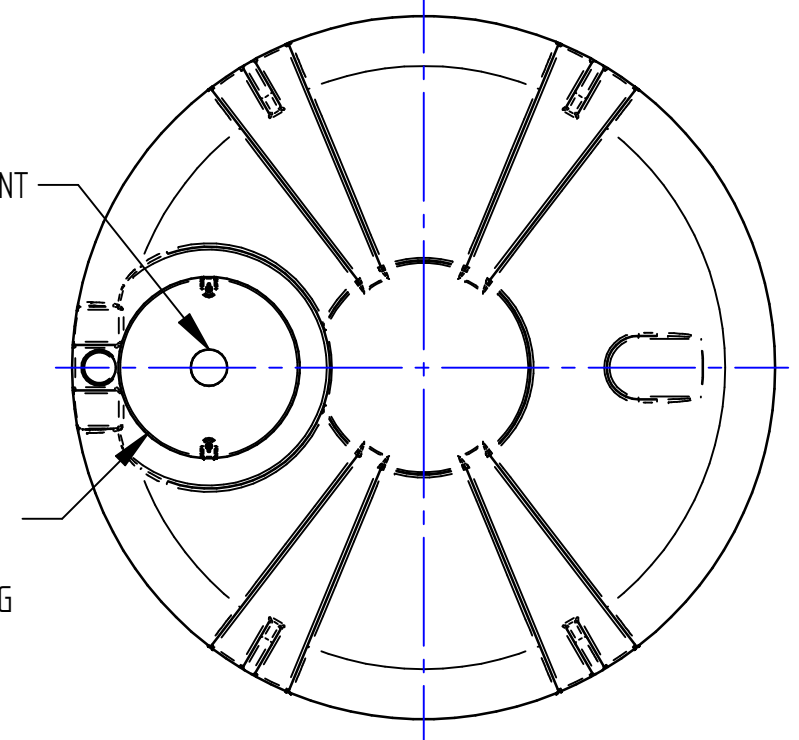


SCREENED VENT

600MM DIA. LID
BOLTED DOWN
MIN. 480MM DIA. OPENING



| Revision | Issue Date | ECN Reference |
|----------|------------|---------------|
| | | |

THE INFORMATION, DATA, AND DRAWINGS EMBODIED IN THIS DOCUMENT ARE STRICTLY CONFIDENTIAL AND ARE SUPPLIED WITH THE UNDERSTANDING THAT THEY WILL NOT BE DISCLOSED TO ANY THIRD PARTIES WITHOUT THE PRIOR WRITTEN CONSENT OF HARLEQUIN MANUFACTURING LTD

COPYRIGHT Sole property of Harlequin Manufacturing Ltd All rights reserved

UNLESS OTHERWISE SPECIFIED: DIMENSIONS ARE IN MM
LINEAR TOLERANCE ± 0.25mm, ANGLES ±0.5°

DO NOT SCALE DRAWING - Use Figure Dimensions Only

IF IN DOUBT, ASK

TITLE: **9250LT Water Tank**

NOTES:

| | |
|----------------------------------|------------------------|
| DWG NO: 11-016-001 | ISSUE DATE: 01/06/2019 |
| REVISION: 00 | DRAWN BY: JC |
| SHEET: 1 of 1 | |
| FILE NAME: 9250LT Water Tank.dft | |

Harlequin
MANUFACTURING FOR TOMORROW

Harlequin Manufacturing Ltd
21 Clarehill Road
Moira
Co. Armagh
BT67 0PB
www.harlequin-mfg.com