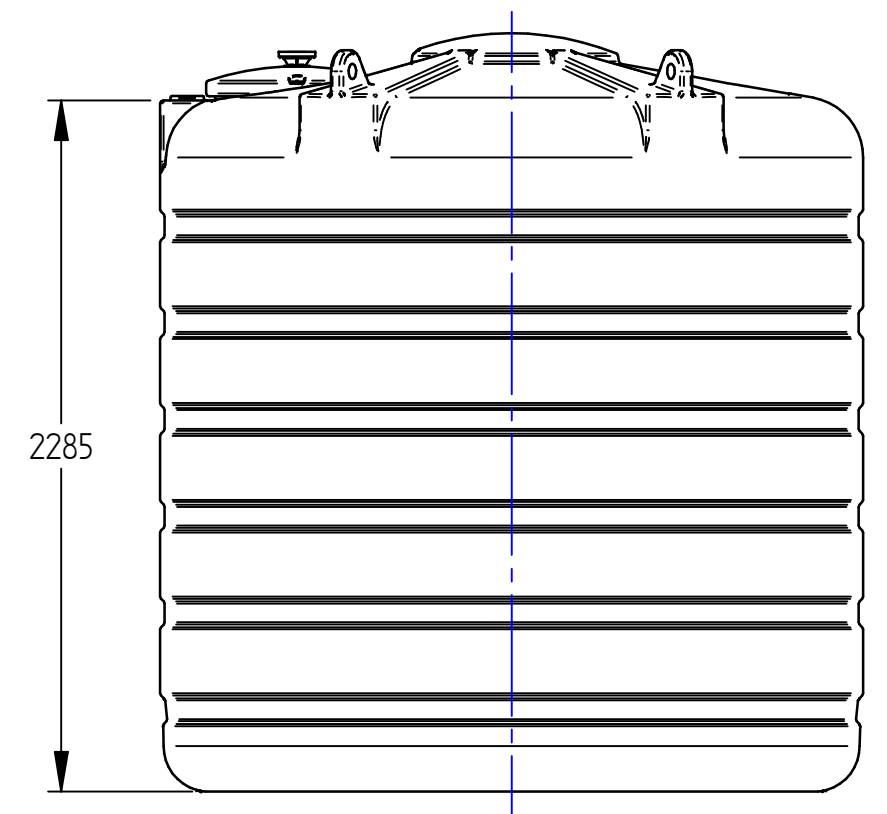
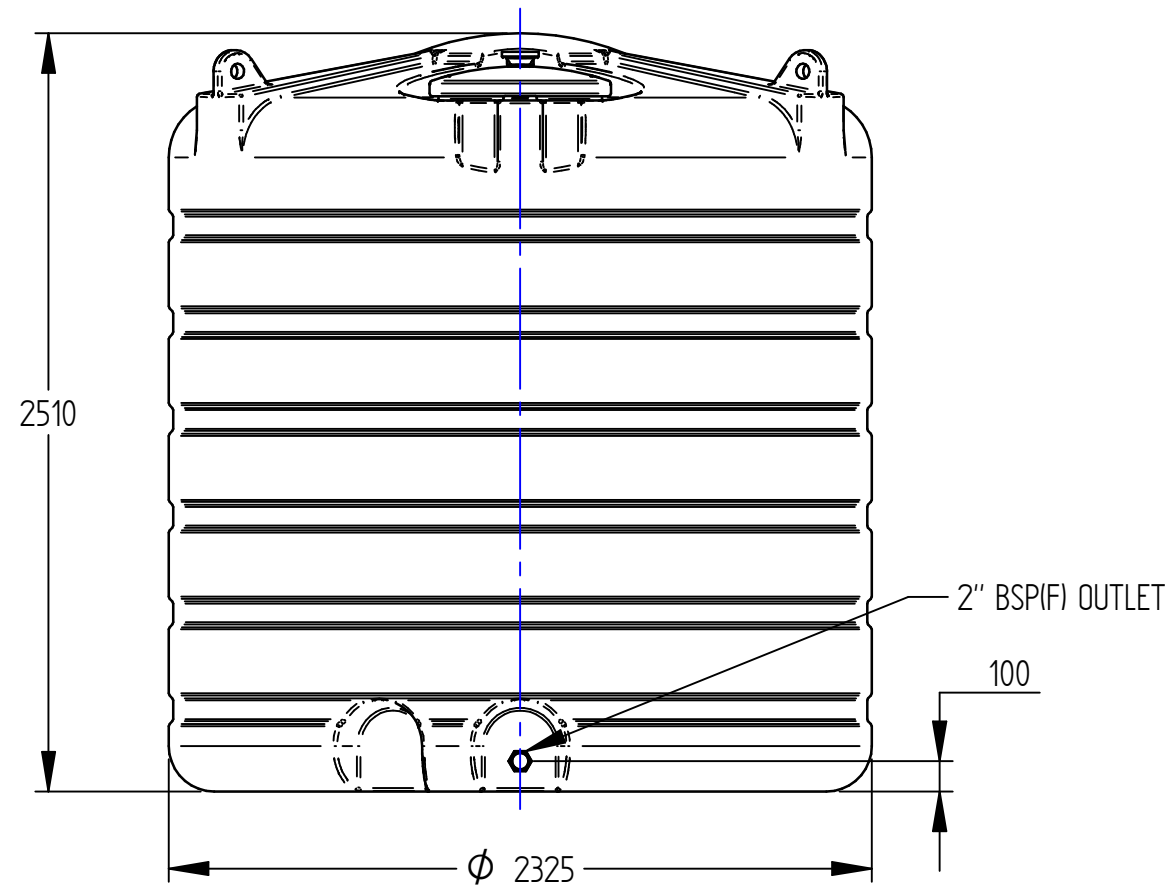
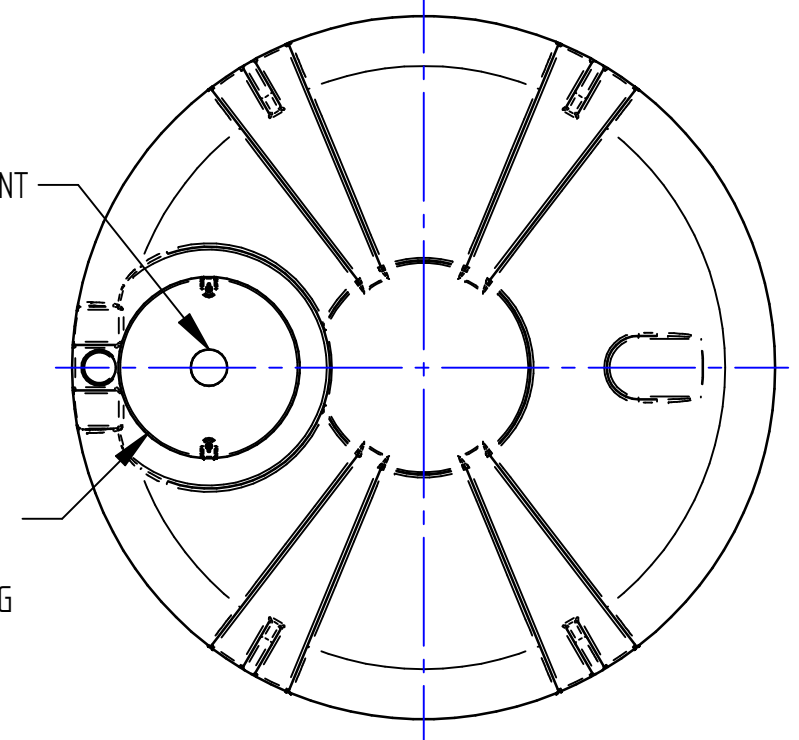


SCREENED VENT

600MM DIA. LID  
BOLTED DOWN  
MIN. 480MM DIA. OPENING



Revision	Issue Date	ECN Reference

THE INFORMATION, DATA, AND DRAWINGS EMBODIED IN THIS DOCUMENT ARE STRICTLY CONFIDENTIAL AND ARE SUPPLIED WITH THE UNDERSTANDING THAT THEY WILL NOT BE DISCLOSED TO ANY THIRD PARTIES WITHOUT THE PRIOR WRITTEN CONSENT OF HARLEQUIN MANUFACTURING LTD

**COPYRIGHT Sole property of Harlequin Manufacturing Ltd All rights reserved**

UNLESS OTHERWISE SPECIFIED: DIMENSIONS ARE IN MM  
LINEAR TOLERANCE ± 0.25mm, ANGLES ±0.5°

DO NOT SCALE DRAWING - Use Figure Dimensions Only

**IF IN DOUBT, ASK**

TITLE: **9250LT Water Tank**

NOTES:

DWG NO: 11-016-001	ISSUE DATE: 01/06/2019
REVISION: 00	DRAWN BY: JC
SHEET: 1 of 1	
FILE NAME: 9250LT Water Tank.dft	

**Harlequin**  
MANUFACTURING FOR TOMORROW

Harlequin Manufacturing Ltd  
21 Clarehill Road  
Moira  
Co. Armagh  
BT67 0PB  
www.harlequin-mfg.com